

# DOORPHONE

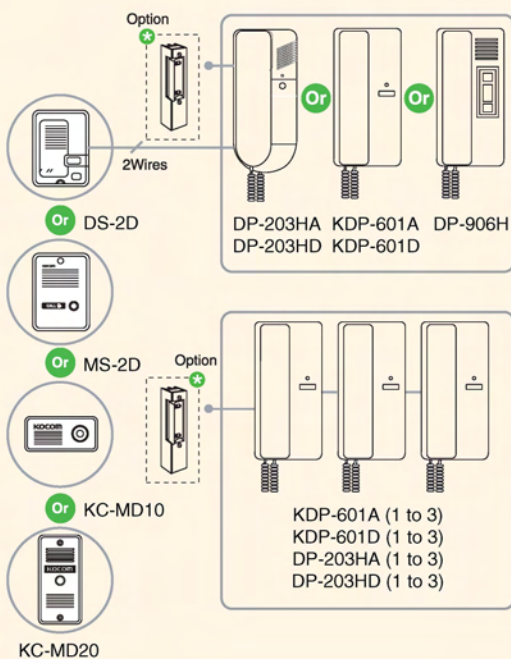
# & INTERPHONE



## [ KDP-601A / 601D ]

- Audio conversation with visitor.
- Gentle electronic sound.
- Easy installation (mount on the wall or desk).
- Door open function.
- Upto 3 audio handset with outdoor panel control.

### Diagram :



### Specifications :

Model no.	KDP-601A	KDP-601D
Power	AC110V or AC220V(+10%)	DC6V (AA 1.5V Battery)x4ea
Power consumption	Max. 150mA	
Assurance temperature	0°C~+50°C	
Wiring	2wires	
Max. wiring distance	ø 0.65 single cable : 300m, 5C-2V coaxial cable : 500m	
Mount type	Surface mount	
Dimension (mm)	92(W) x 210(H) x 57(D)	
Weight (Approx. kg)	0.5kgs (1pc)	