



ARM270BI/ARM270BO

### FEATURES:

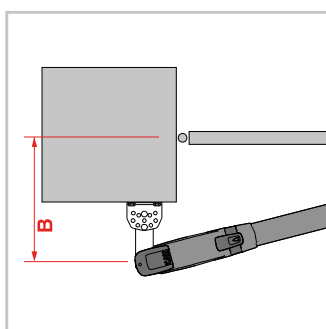
- residential/apartment building/commercial use
- for gates leaves up to 5 m
- rod extension gate operator
- brackets to be welded, included
- adjustable mounting brackets (optional)
- suitable for large gates and non standard sized posts
- electrical connections are easier thanks to the larger upper space
- manual release with key lock
- quick and easy installation

### 18 V PROS:

- low voltage DC gate operator
- auto-learning of the gate stroke through optical encoder
- obstacle detection and crush prevention
- in accordance with EN 12453 standards
- works even during power outage thanks to the optional backup battery
- fast operating speed
- soft start and soft stop
- intensive use, ideal for use on apartment buildings and public entrances

### 230 V PROS:

- 230 V gate operator
- built-in capacitor
- high torque and power



#### B UP TO 345 MM MAX

Thanks to the telescopic extension, it is able to adapt perfectly to the different dimensions of the pillars.



#### DOORS OPENING UP TO 120°

Thanks to the versatility of the optional multi-hole brackets, the installation is remarkably simplified and it is possible to reach a considerable degree of leaf opening up to a max. of 120°.



#### PLUNGE ROUNDED TOOTHING

The special plunge rounded toothing guarantees a greater bearing surface and therefore less wear and longer life.



#### STURDINESS

Stem in AISI 304 steel, aluminum fork and brass nut welded directly onto the stem guarantee top-level sturdiness.

## TECHNICAL DRAWINGS

Technical features	ARM270BI	ARM270I	ARM270BO
Power supply	230 V AC (50 - 60 Hz)	230 V AC (50 - 60 Hz)	230 V AC (50 - 60 Hz)
Motor power supply	18 V DC	230 V AC	18 V DC
Open circuit voltage	1 A	1,5 A	1 A
Power rating	120 W	350 W	120 W
Opening time 90°	13 s*	34 s*	13 s*
Duty cycle	100 %	36 %	100 %
Operating temperature	-20° C ÷ +55° C	-20° C ÷ +55° C	-20° C ÷ +55° C
Motor thermal protection	-	160° C	-
Degree of protection IP	IP 44	IP 44	IP 44
Stroke length	530 mm	530 mm	530 mm



\* Varies according to the installation geometries